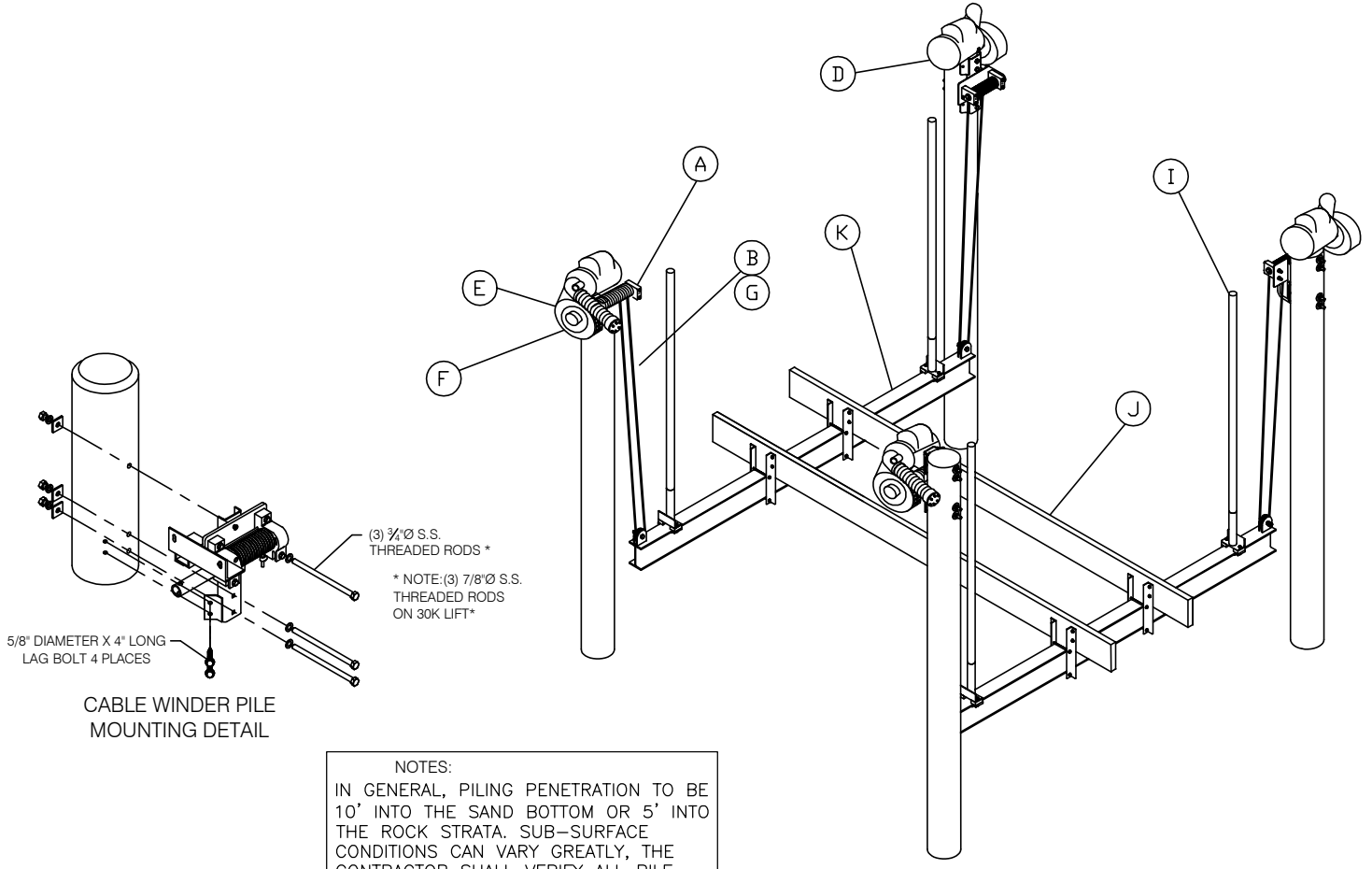


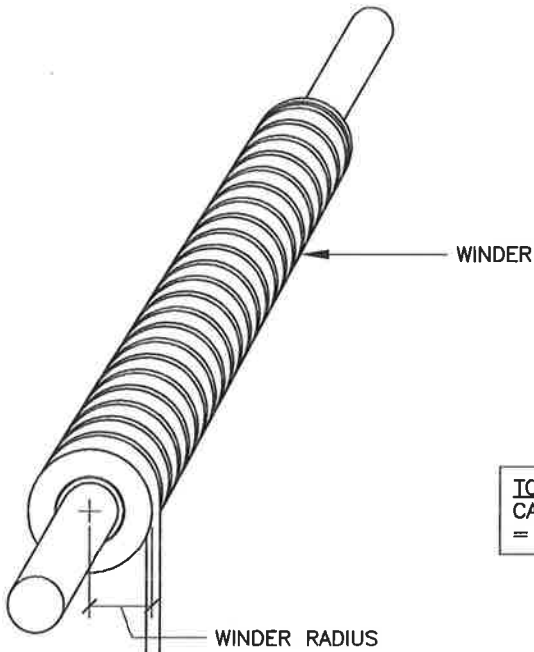
GATORVATOR 4 POST, 4 MOTOR LIFT

NOTE:
BOATS SHALL NOT BE STORED ON LIFT DURING HIGH WIND EVENTS.



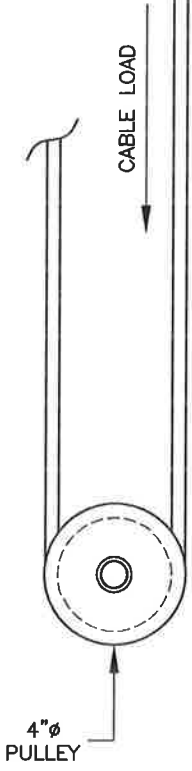
NOTES:
IN GENERAL, PILING PENETRATION TO BE 10' INTO THE SAND BOTTOM OR 5' INTO THE ROCK STRATA. SUB-SURFACE CONDITIONS CAN VARY GREATLY, THE CONTRACTOR SHALL VERIFY ALL PILE CAPACITIES. ALL WOOD PILINGS TO BE 2.5 C.C.A. TREATED.

	(A)	(B)	(C)	(D)	(E)	(F)	(G)	(H)	(I)	(J)	(K)					
LIFT CAPACITY LBS.	NO. OF BRGS	CABLE CONFIG.	GROOVED WINDERS IN.	DRIVE SHAFT IN.	DRIVE	NO. OF MOTORS & H.P.	LIFTING CABLE IN.	LIFT PER MIN. /IN.	GUIDE POST HEIGHT IN.	BOAT BUNK IN.	CRADLE BEAM/"1" BEAM SIZE IN.	Recomm. Min Piling Sizes IN.				
7,000	8	30' S.S. 2 PART	3 ϕ X 12"	1.905 O.D. 8 GA. GALV. STEEL PIPE	SEA DRIVE 8,000 IPT	(4) 3/4 HP	(4) .3125 ϕ	19"/MIN.	80"	2 x 8 X 144	6 x .21 H 4 x .35 W	144" LGTH	8" ϕ			
10,000											8 x .23 H 5 x .35 W	144" LGTH				
14,000			8 x .25 H 5 x .41 W				144" LGTH									
16,000			3.5 ϕ X 12"				3 x 10 X 168				10 x .25 H 6 x .41 W	168" LGTH				
20,000		45' S.S. 2 PART	3.5 ϕ X 16"			3.5 O.D. SOLID ALUMINUM PIPE	(4) 1 HP			(4) .4375 ϕ	13"/MIN.	120"	3 x 10 192	10 x .25 H 6 x .41 W	168" LGTH	12" ϕ
24,000														10 x .29 H 6 x .50 W	192" LGTH	
30,000	6 x 10 BEAM 240			12 x .31 H 7 x .62 W	192" LGTH											



TORQUE CALCULATIONS
 CABLE LOAD x WINDER RADIUS
 = ACTUAL TORQUE

CABLE LOADS	
5/16"	9,000 LBS
3/8"	12,000 LBS
7/16"	16,300 LBS
1/2"	22,800 LBS



LIFT CAPACITY	CABLE SIZE & PART	WINDER DIAMETER	ACTUAL TORQUE (IN-LBS)	GEAR BOX RATED TORQUE (IN-LBS)	CABLE LOAD (LL + DL)	CABLE CAPACITY	WINDER LENGTH	*WINDER LOAD CAPACITY (IN-LBS)	PULLEY ASSEMBLY CAPACITY
7,000#	(4) .3125" ∅ 2 PART	3"∅	1,361	8,000	907	9,000#	12"	23,469	12,900#
10,000#			1,931		1,287#				
14,000#			2,684		1,789#				
16,000#			3,077		2,051#				
20,000#	(4) .375" ∅ 2 PART	3.5"∅	4,468		2,553#	12,000#	16"		
24,000#	(4) .4375" ∅ 2 PART		3,574		2,042#				
30,000#	4,473		2,556#						

* BASED ON G=10.9x10⁶