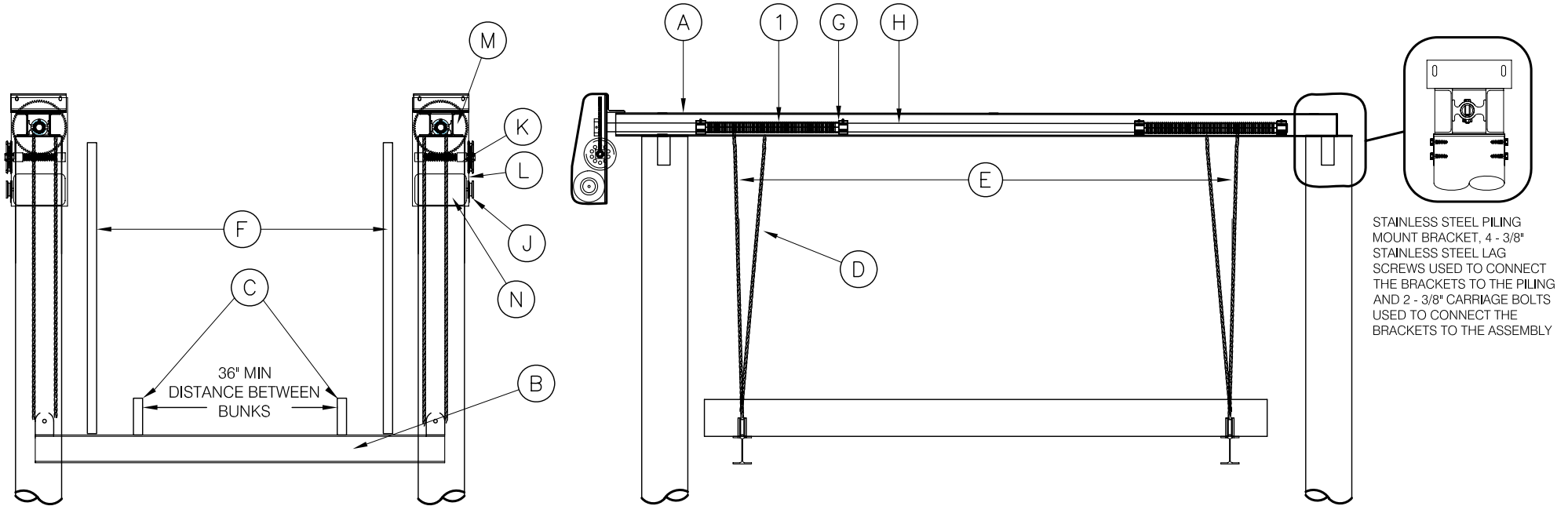


GOLDEN 28,000# 4 POST, 2 MOTOR BOAT LIFT



PILING SPACING 16'-0" IN ALL DIRECTIONS. PILING PENETRATION TO BE 10' INTO THE SAND BOTTOM OR 5' INTO THE ROCK STRATA, ALL PILINGS TO BE 2.5 C.C.A. TREATED

(A) (B) (C) (D) (E) (F) (G) (H) (I) (J) (K) (L) (M) (N)

LIFT CAPACITY	TOP BEAM CHANNEL	CRADLE I-BEAM SIZE	BUNK BOARDS RUFF SAWN	CABLE SIZE	CABLE SPREAD	GUIDE POST HEIGHT	BEARINGS	DRIVE SHAFT SIZE	CABLE WINDER DIA.	MOTOR TYPE	GEAR BOX TYPE	PILING SIZE	GEAR BOX RATIO	MOTOR H.P. 2 PER	INCHES OF LIFT PER MIN.
28,000#	2 EA. 8 H x .25 3.75W x .41 201" L	12 Hx.29 7Wx .47 192" L	3 x 10 X 192" L	4 - 5/16" x 55' 4 PART	148"	10'	10 - 2" SOLID 6061-T6 ALUM.	1 15/16" O.D. SCH. 80 GALV PIPE	3" O.D. SCH 80 ALUM PIPE	C-FACE	EDRIVE	12"	480 TO 1	1 1/2 H.P. 120/20A 240/10A	8.57

STRUCTURAL ENGINEERING REVIEW

THE GRAVITY AND WIND LOADS FOR THIS CONSTRUCTION HAVE BEEN CALCULATED AND MAIN WIND FORCE RESISTING SYSTEM AND COMPONENTS AND CLADDING OF THIS STRUCTURE DESIGN DO COMPLY WITH THE FLORIDA BUILDING CODE 2004, SECT. 1609 FOR WIND PRESSURES GENERATED BY A BASIC WIND SPEED OF 150 MPH.

Richard W. Arnold Date
FL License No. 19334

Arnold/Sanders Consulting Engineers, Inc.
16681 McGregor Blvd. Suite 102, Fort Myers, FL 33908
Phone: 239-267-3666 Fax: 239-267-2771

SIGNATURE ONLY VAILD WITH RAISED SEAL

NOTE: THIS STRUCTURE WILL WITHSTAND WIND LOADS ASSOCIATED WITH BASIC WIND SPEEDS OF 150 MPH CALCULATED PER F.B.C. 2004 AND ASCE 7-02