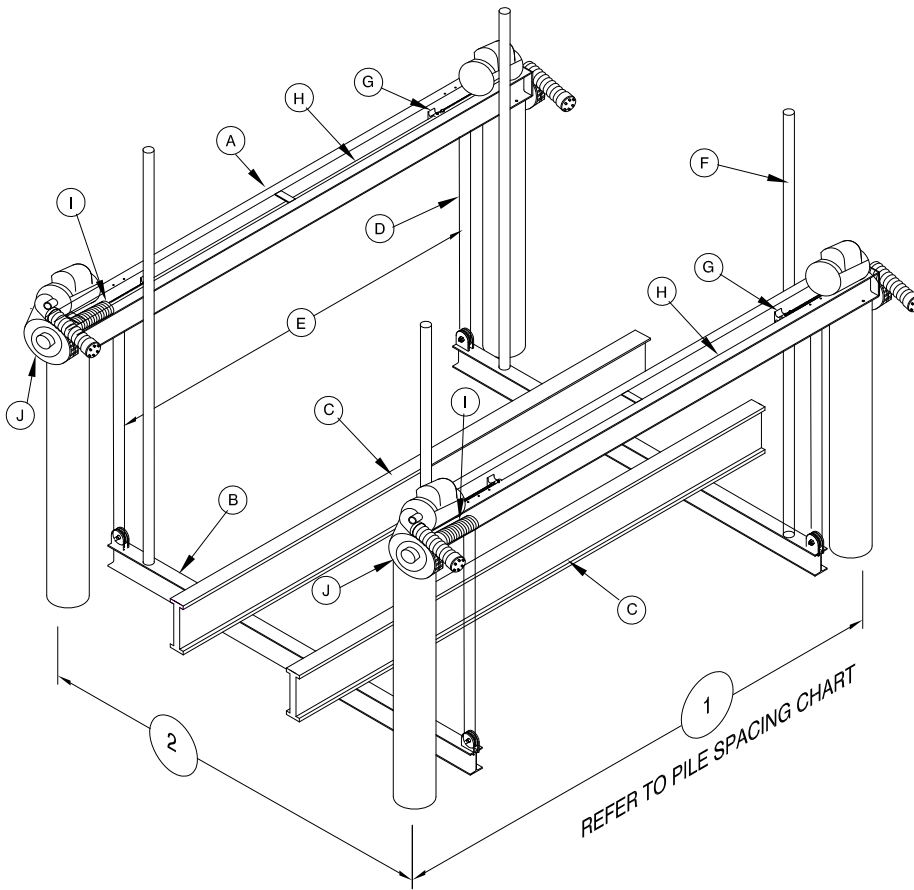
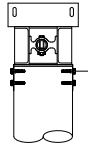


GOLDEN ENGINEERED 4 POST, 4 MOTOR SEA DRIVE BOAT LIFTS

STAINLESS STEEL PILING MOUNT BRACKET - RECOMMENDED ATTACHMENT BASED ON BRACKET CONFIGURATION. VERIFY ADEQUACY BASED ON ACTUAL SITE CONDITIONS:
 4-3/8" STAINLESS STEEL LAG SCREWS USED TO CONNECT THE BRACKETS TO THE PILING AND
 2-3/8" STAINLESS STEEL CARRIAGE BOLTS USED TO CONNECT THE BRACKETS TO THE LIFT CHANNELS



PILE SPACING CHART
 The boat center of gravity needs to be set in the center of the top beam

Lift Capacity	*1" Dimension	*2" Dimension	Recommended Pile Diameters
Lb.	Ft.	Ft.	In.
32,000	16	16	12
40,000	16	18	12
56,000	18	20	12

NOTE: THIS STRUCTURE HAS BEEN DESIGNED FOR LOADS ASSOCIATED WITH AN ULTIMATE WIND SPEED OF 180 MPH, EXPOSURE "D", RISK CATEGORY I, CALCULATED PER FLORIDA BUILDING CODE 2017, ASCE/SEI 7-10 AND ADM-2015. BOATS SHALL NOT BE STORED ON LIFTS DURING HIGH WIND EVENTS.

IN GENERAL, PILING PENETRATION TO BE A MINIMUM OF 10' INTO THE SAND BOTTOM OR 5' INTO THE ROCK STRATA. SUB-SURFACE CONDITIONS CAN VARY GREATLY, THE CONTRACTOR SHALL VERIFY ALL PILE CAPACITIES. ALL PILING TO BE 2.5 C.C.A. PRESSURE TREATED WOOD. ALL STRUCTURAL MEMBERS TO BE 6061-T6 ALUMINUM.

SUMMARY OF DESIGN FEATURES

	(A)	(B)	(C)	(D)	(E)	(F)	(G)	(H)	(I)	(J)		
LIFT CAPACITY	TOP BEAM CHANNEL	CRADLE I-BEAM	BUNK	CABLE SIZE	CABLE	GUIDE POST	BEARINGS	DRIVE	WINDER	MOTOR	INCHES	RECOM
Lbs	2 EACH	2 EACH	BOARDS	INCHES	SPREAD	HEIGHT		SHAFT	DIA	HP	OF LIFT	PILING
	INCHES	INCHES	(AL)		IN	IN				VOLTAGE	PER MIN	SIZES
32,000#	C10 x 8.64 LB/FT 10 H x .526 2.88 W x .437 x 204 OAL	2 Double 10 H x .25 6 W x .41 192" Long	10 x 16 x 95 ALUM CARPETED	4- 5/16" x60" ST ST 4 PART	174"	120"	10 - 2" H.D. EXTRUDED 6061-T6 ALUM.	1-15/16" DIA. SCH 80 GALV PIPE	3-1/2" DIA SCH 80 ALUM PIPE W/ CABLE GROOVES	4 - 1 HP 120V/20A 240V/10A	9.90*	12" DIA
40,000#	C10 x 8.64 LB/FT 10 H x .526 2.88 W x .437 x 204 OAL	2 Double 10 H x .29 6 W x .50 216" Long		4- 3/8" x60" ST ST 4 PART	174"	120"	10 - 2" H.D. EXTRUDED 6061-T6 ALUM.			4 - 1 HP 120V/20A 240V/10A	9.90*	12" DIA
56,000#	C10 x 8.64 LB/FT 10 H x .526 2.88 W x .437 x 228 OAL	2 Double 12 H x .31 7 W x .62 240" Long		4- 7/16" x60" ST ST 4 PART	198"	120"	10 - 2" H.D. EXTRUDED 6061-T6 ALUM.			4 - 1-1/2 HP 120V/20A 240V/10A	9.90*	12" DIA